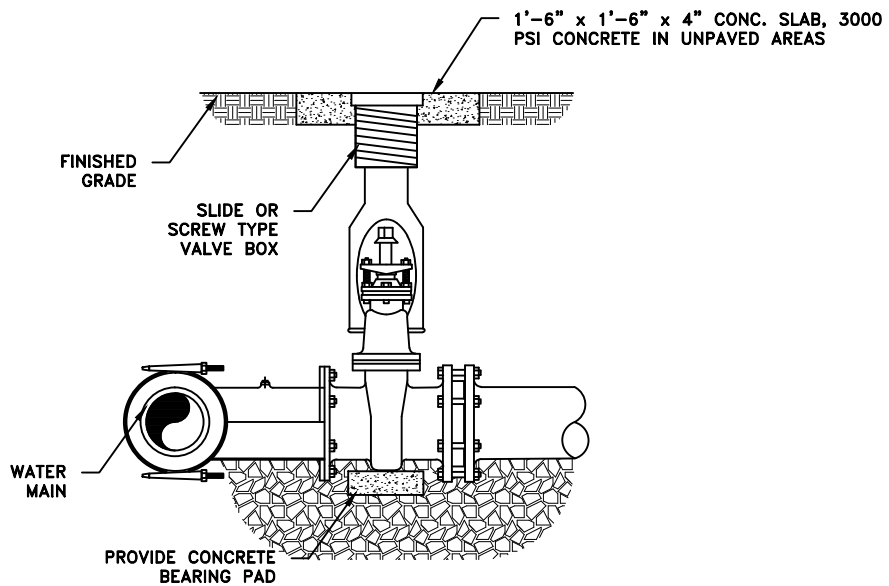


PLAN



PROFILE

## TAPPING SLEEVE AND VALVE DETAIL

**NOTE:**

1. AMERICAN WATER PERMITS SIZE ON SIZE TAPPING OF WATER MAIN CONNECTIONS FOR UP TO 12" DIAMETER MAINS.
2. SIZE ON SIZE TAPS ARE NOT PERMITTED ON MAINS LARGER THAN 12" IN DIAMETER. CUT-IN TEES SHALL BE REQUIRED.

REVISIONS
1/12 - MSG EDITS
6/13 - MSG EDITS
1/17 - MSG EDITS

AMERICAN WATER MILITARY SERVICES GROUP  
CIVIL  
TAPPING SLEEVE & VALVE  
DETAIL

AMERICAN WATER MILITARY SERVICES GROUP  
CAMDEN, NJ 08102

AMERICAN WATER M.S.G.  
1 WATER STREET  
CAMDEN, NJ 08102



DRAWN BY J. ABRERA  
PROJECT ENG'R PDK  
APPROVED

DATE 05-03-2010  
PROJECT N/A

USE DIMENSIONS ONLY  
SCALE N.T.S.

USE APPROVED DRAWINGS ONLY  
FOR CONSTRUCTION PURPOSES

MSG-W-06

FINAL

MSG-W-06