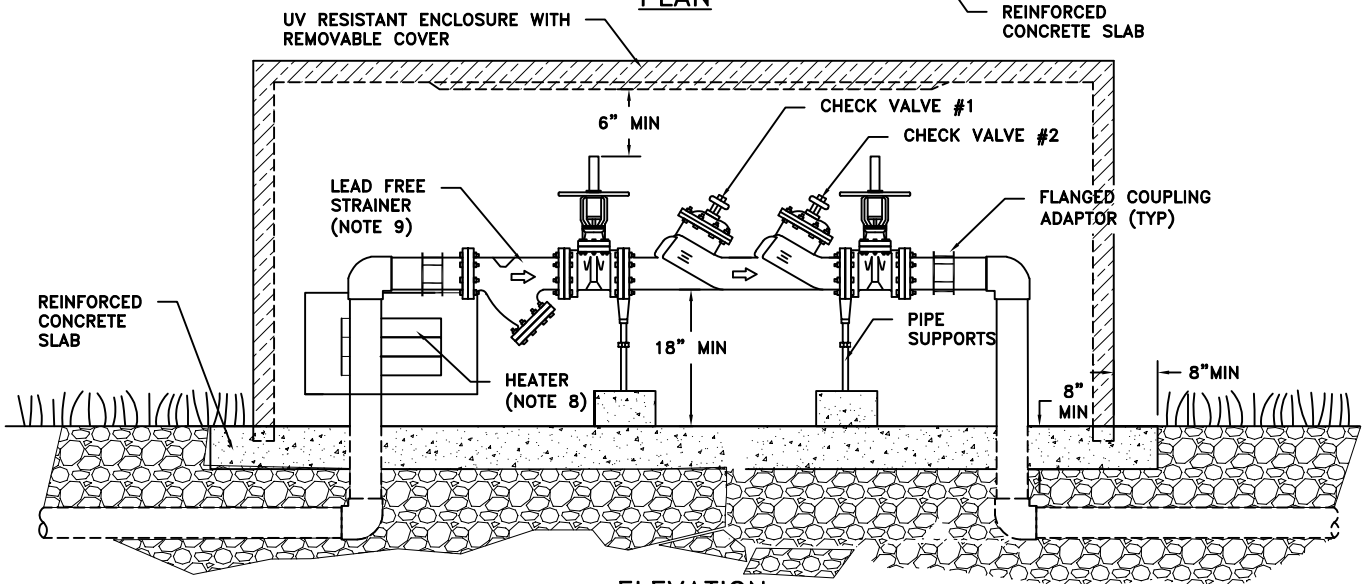


PLAN



ELEVATION

>2" DOUBLE CHECK VALVE BACKFLOW PREVENTER-EXTERIOR

NOTES:

1. LARGE ASSEMBLIES ARE THOSE 2½" AND LARGER.
2. ASSEMBLY SHALL NOT BE SUBJECT TO FLOODING.
3. DCDA's ARE TYPICALLY INSTALLED ABOVE-GRADE.
4. DCDA's SHALL BE INSTALLED ABOVE THE 100 YEAR FLOOD LEVEL, UNLESS OTHERWISE APPROVED BY AW.
5. BRASS OR PLASTIC PLUGS ARE REQUIRED FOR ALL TESTING PORTS.
6. DRAIN PIPE SHALL BE SIZED ACCORDING TO THE MANUFACTURERS FLOW CURVE TO DETERMINE THE MAXIMUM DISCHARGE RATE.
7. ACCESS HATCH SHALL BE ABOVE THE CENTERLINE OF THE ASSEMBLY.
8. PROVIDE HEAT WHEN DIRECTED BY AW PROJECT MANAGER.
9. PROVIDE LEAD FREE STRAINER WHEN DIRECTED BY AW PROJECT MANAGER.
10. PROVIDE TWO TO FOUR BOLLARDS AROUND ENCLOSURES IN HIGH TRAFFIC AREAS WHEN DIRECTED BY AW PROJECT MANAGER.
11. BFD ASSEMBLY SHALL BE READILY ACCESSIBLE PER THE UFC.

REVISIONS
01/18 - MSG EDITS
11/22- MSG EDITS

AMERICAN WATER STANDARD
CIVIL
>2" BACKFLOW PREVENTER-EXTERIOR
DOUBLE CHECK VALVE ASSEMBLY (DCVA)

AMERICAN WATER MILITARY SERVICES GROUP
CAMDEN, NJ 08102

AMERICAN WATER M.S.G.
1 WATER STREET
CAMDEN, NJ 08102



DRAWN BY JRQ
PROJECT ENG'R PDK
APPROVED

DATE 12-06-11
PROJECT IP

USE DIMENSIONS ONLY
SCALE N.T.S.

USE APPROVED DRAWINGS ONLY
FOR CONSTRUCTION PURPOSES

MSG-W-18

FINAL

MSG-W-18