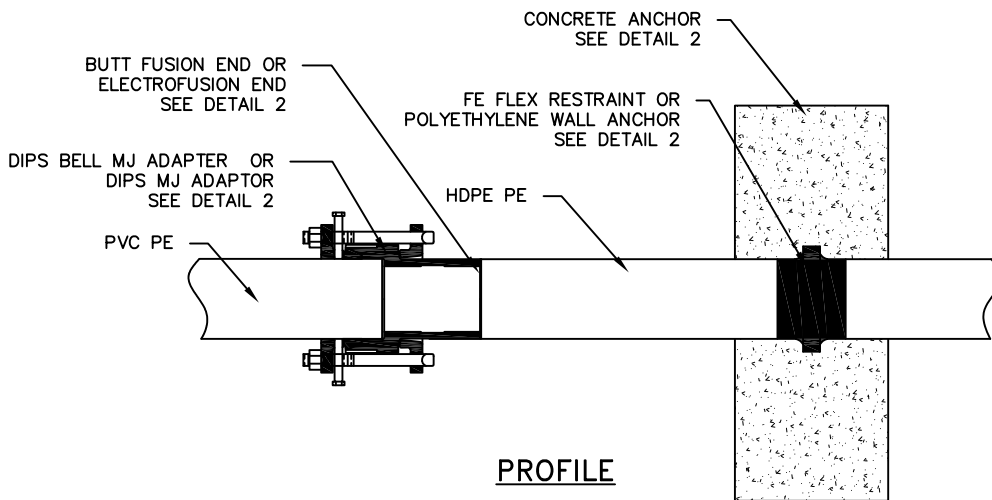



SECTION



PROFILE

HDPE CONNECTION RESTRAINTS

	REVISIONS	AMERICAN WATER MILITARY SERVICES GROUP CIVIL HDPE CONNECTION RESTRAINT DETAIL 1	
		AMERICAN WATER MILITARY SERVICES GROUP CAMDEN, NJ 08102	
		AMERICAN WATER M.S.G. 1 WATER STREET CAMDEN, NJ 08102	 AMERICAN WATER.
		DRAWN BY PDK PROJECT ENG'R PDK APPROVED	DATE 12-18-2013 PROJECT N/A
		USE APPROVED DRAWINGS ONLY FOR CONSTRUCTION PURPOSES	MSG-W-25A

FINAL

MSG-W-25A